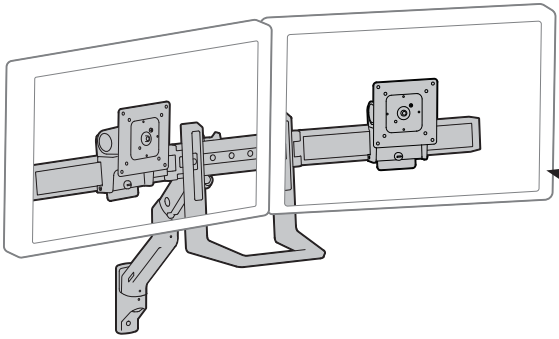
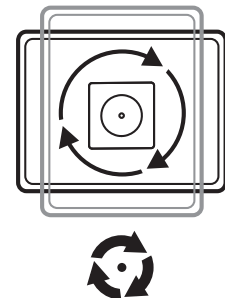
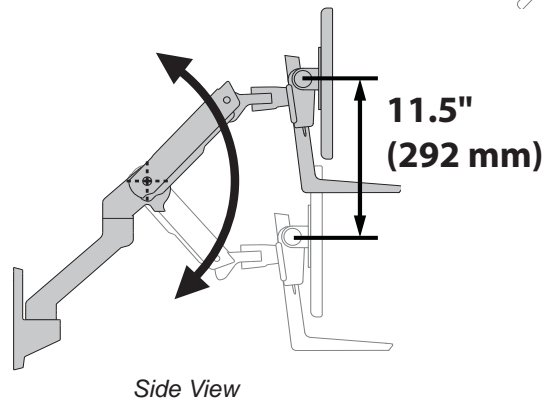
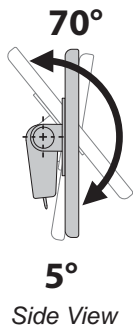
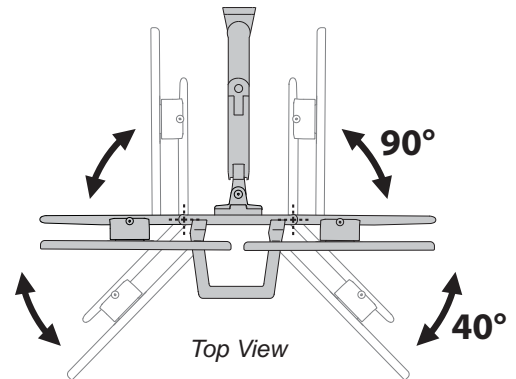
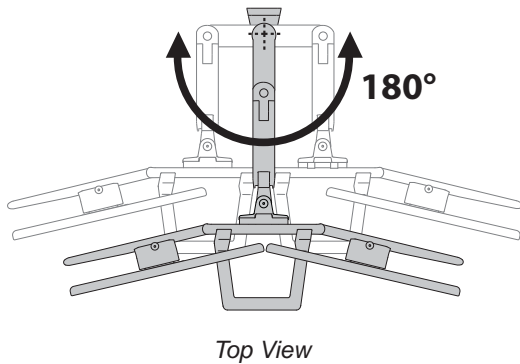
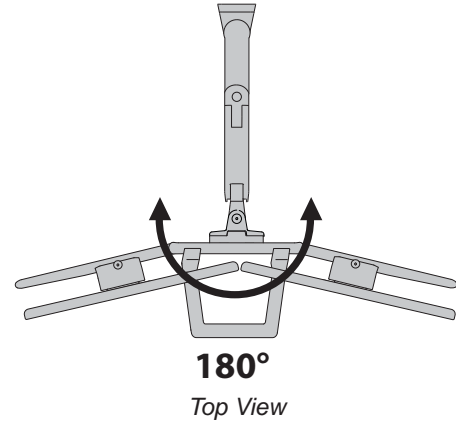
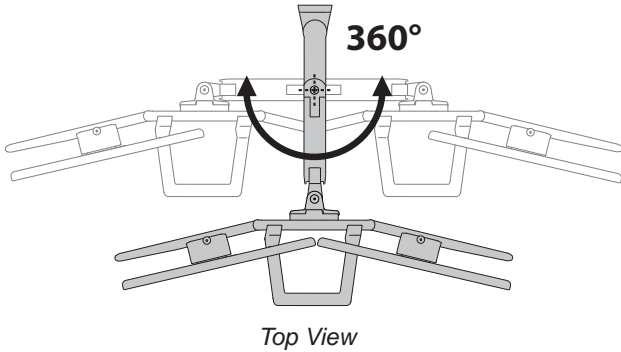


# Ergotron® HX Wall Dual Monitor Arm



5lbs. - 17.5lbs.  
(2.3 kg - 7.9 kg)  
per monitor

## Range of Motion



**Portrait/Landscape Rotation**

© 2016 Ergotron, Inc. rev. 07/23/2019 DIM-HXWallmount **Content is subject to change without notification**

**Americas Sales and Corporate Headquarter**

St. Paul, MN USA  
(800) 888-8458  
+1-651-681-7600  
www.ergotron.com  
sales@ergotron.com

**EMEA Sales**

Amersfoort, The Netherlands  
+31 33 45 45 600  
www.ergotron.com  
info.eu@ergotron.com

**APAC Sales**

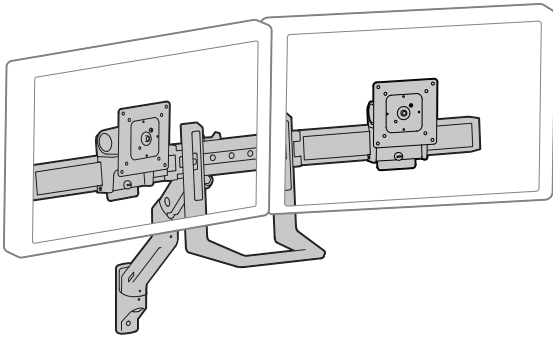
Tokyo, Japan  
www.ergotron.com  
apaccustomerservice@ergotron.com

**Worldwide OEM Sales**

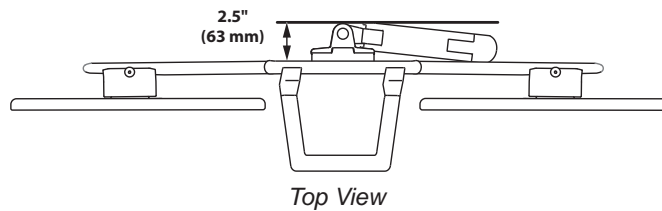
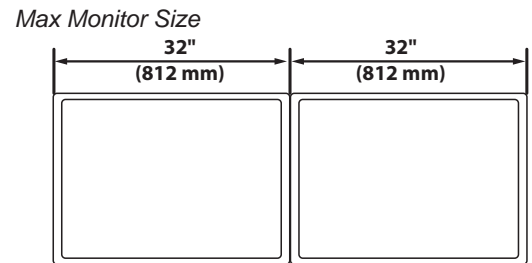
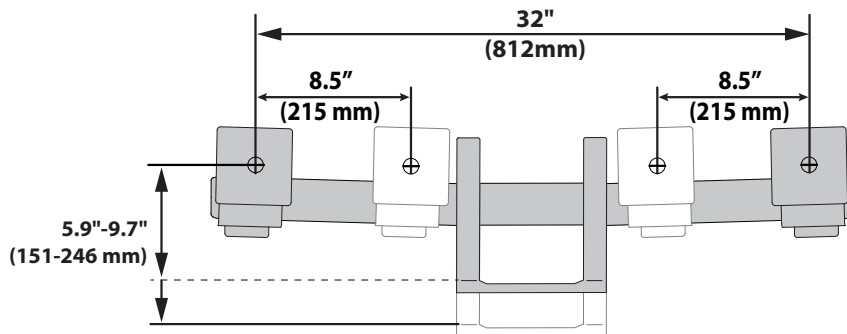
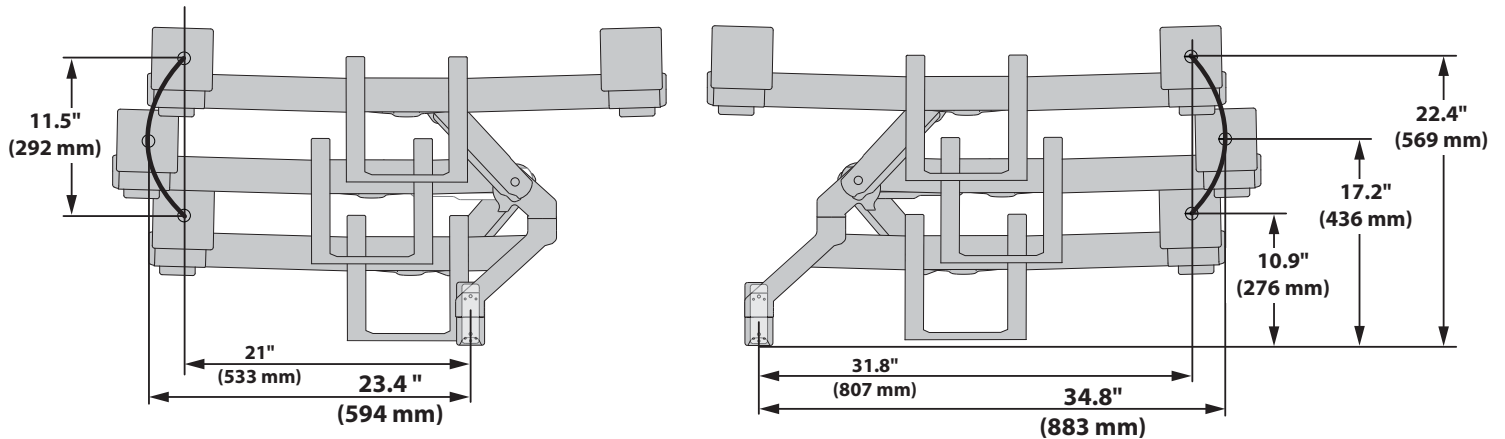
www.ergotron.com  
info.oem@ergotron.com

**ergotron®**

# Ergotron® HX Wall Dual Monitor Arm



## Dimensions



© 2016 Ergotron, Inc. rev. 07/23/2019 DIM-HXWallmount Content is subject to change without notification

**Americas Sales and Corporate Headquarter**

St. Paul, MN USA  
 (800) 888-8458  
 +1-651-681-7600  
 www.ergotron.com  
 sales@ergotron.com

**EMEA Sales**

Amersfoort, The Netherlands  
 +31 33 45 45 600  
 www.ergotron.com  
 info.eu@ergotron.com

**APAC Sales**

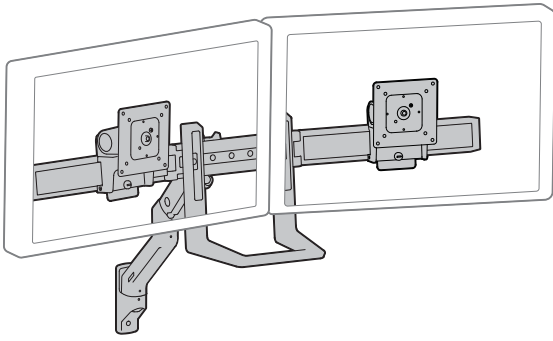
Tokyo, Japan  
 www.ergotron.com  
 apaccustomerservice@ergotron.com

**Worldwide OEM Sales**

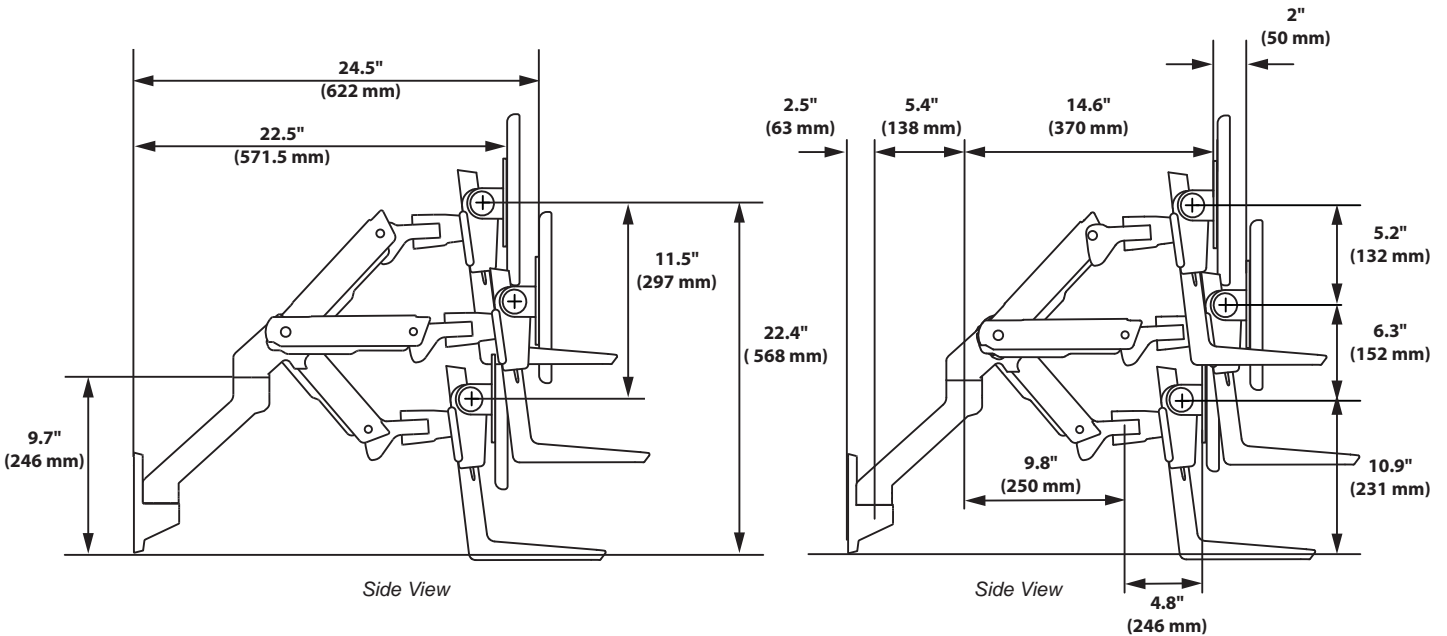
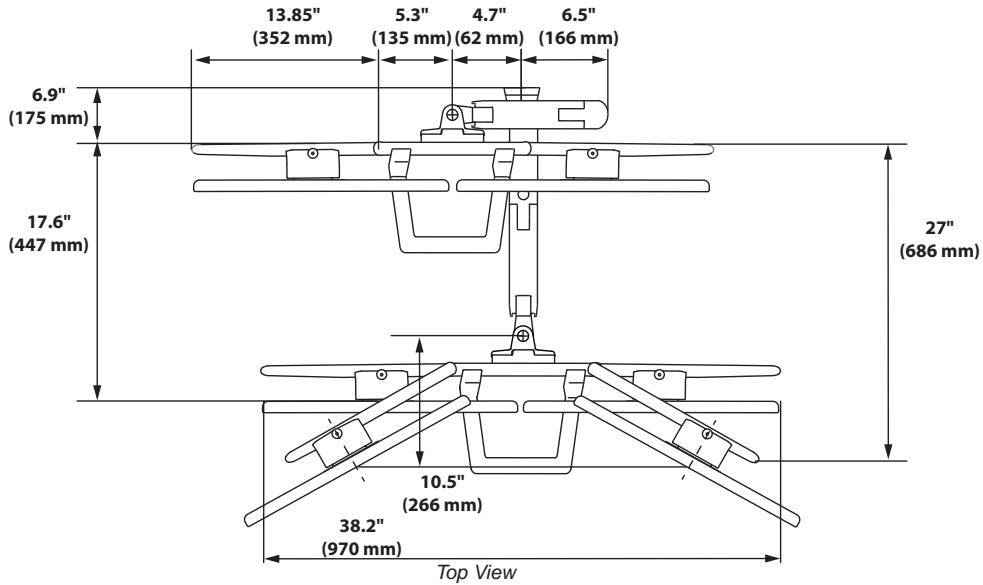
www.ergotron.com  
 info.oem@ergotron.com



# Ergotron® HX Wall Dual Monitor Arm



## Dimensions



© 2016 Ergotron, Inc. rev. 07/23/2019 DIM-HXWallmount Content is subject to change without notification

### Americas Sales and Corporate Headquarter

St. Paul, MN USA  
(800) 888-8458  
+1-651-681-7600  
www.ergotron.com  
sales@ergotron.com

### EMEA Sales

Amersfoort, The Netherlands  
+31 33 45 45 600  
www.ergotron.com  
info.eu@ergotron.com

### APAC Sales

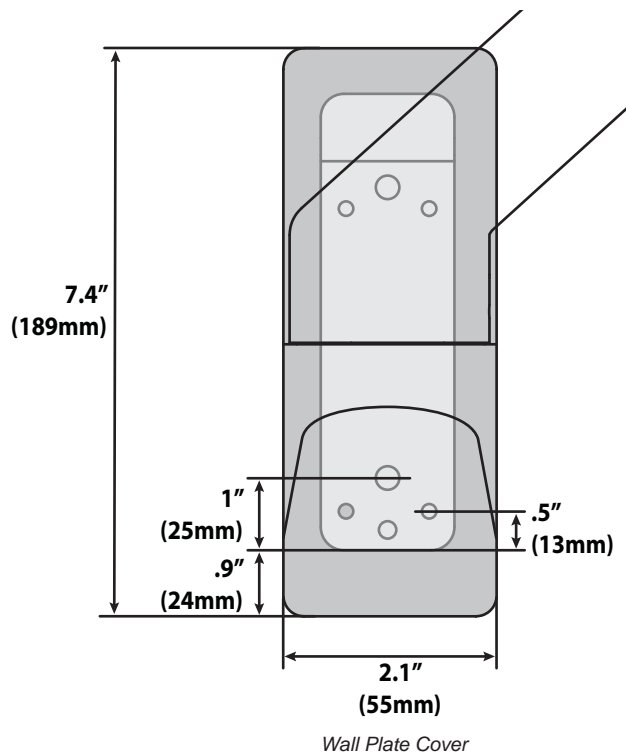
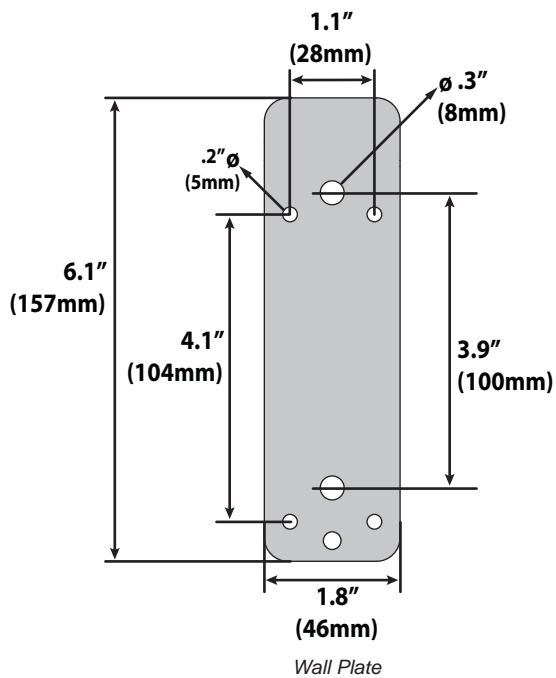
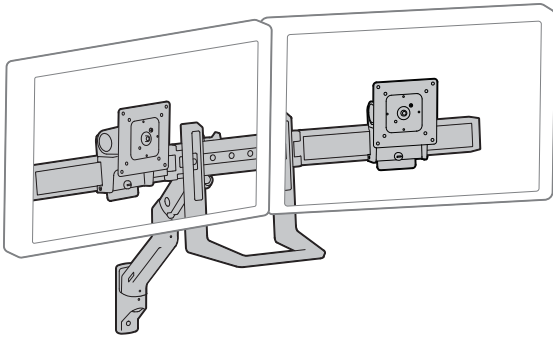
Tokyo, Japan  
www.ergotron.com  
apaccustomerservice@ergotron.com

### Worldwide OEM Sales

www.ergotron.com  
info.oem@ergotron.com

ergotron®

# Ergotron® HX Wall Dual Monitor Arm



© 2016 Ergotron, Inc. rev. 07/23/2019 DIM-HXWallmount Content is subject to change without notification

**Americas Sales and Corporate Headquarter**

St. Paul, MN USA  
 (800) 888-8458  
 +1-651-681-7600  
 www.ergotron.com  
 sales@ergotron.com

**EMEA Sales**

Amersfoort, The Netherlands  
 +31 33 45 45 600  
 www.ergotron.com  
 info.eu@ergotron.com

**APAC Sales**

Tokyo, Japan  
 www.ergotron.com  
 apaccustomerservice@ergotron.com

**Worldwide OEM Sales**

www.ergotron.com  
 info.oem@ergotron.com

